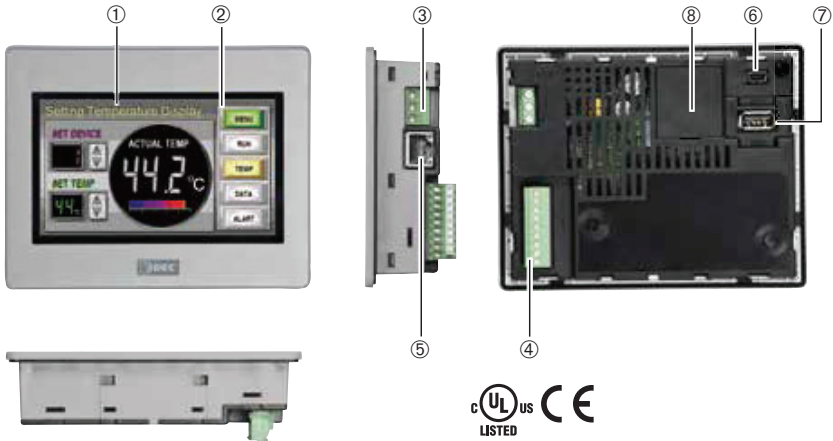
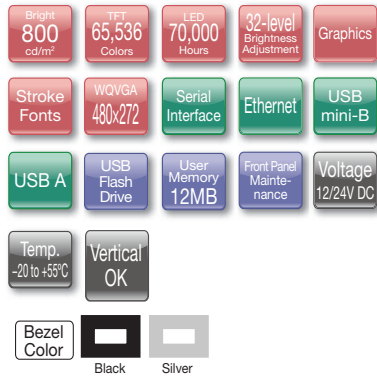


HG1G Operator Interface

4.3
inch

NEW

**IoT remote control reduces maintenance.
Enhanced visibility and user-friendliness.**



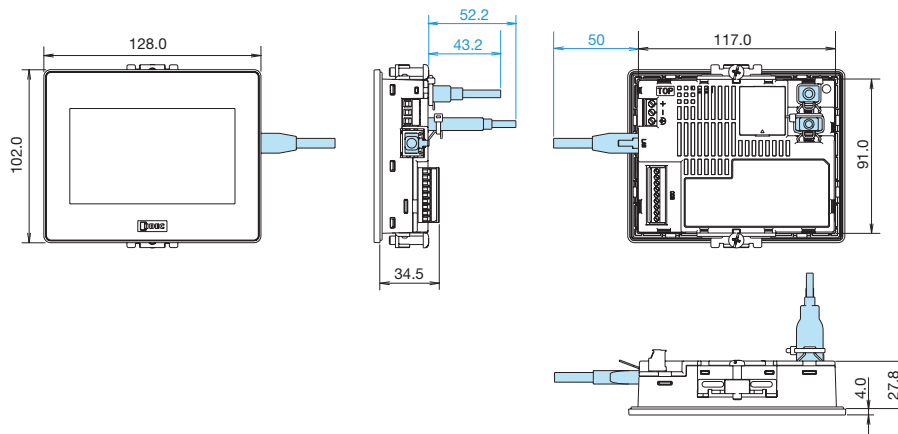
(Approval for HG1G operator interface only, excluding options or expansion modules.)

No.	Name	No.	Name
①	Display	⑤	Ethernet Interface (LAN)
②	Touchscreen	⑥	USB Interface (USB1)
③	Power Supply Terminal	⑦	USB Interface (USB2)
④	Serial Interface (COM)	⑧	Battery Cover

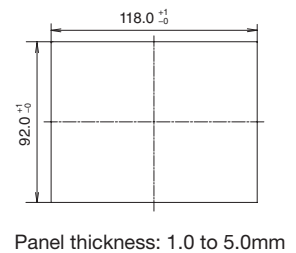
HG1G Operator Interface

Display Screen	Operation Style	Communication/ Memory Interface	Bezel Color	Part No. (Ordering No.)	Approvals
4.3-inch TFT color LCD 65,536 colors	Touch Switch (analog resistive)	COM LAN USB 1 USB 2	Black	HG1G-4VT22TF-B	UL508 CSA C22.2 No.142 CSA C22.2 No.213 ANSI/ISA-12/12.01
			Silver	HG1G-4VT22TF-S	

Dimensions



Panel Cut-out



All dimensions in mm.

- Dimensions in blue show the mounting dimensions of the cable.
- Dimensions in the figure vary depending on the type of cable connected.
- Install the HG1G into a panel cut-out by tightening the four mounting clips (supplied) to a torque of 0.2 to 0.3 N-m.
- Do not tighten with excessive force, otherwise the HG1G and screen may be distorted. Also waterproof characteristics may be lost.

HG1G Operator Interface

General Specifications

Electrical Specifications	Rated Power Voltage	12/24 V DC
	Power Voltage Range	10.2 to 28.8V DC
	Power Consumption	8W maximum 4W maximum when not using USB interface (USB2)
	Allowable Momentary Power Interruption	10ms maximum (voltage 20.4 to 28.8V DC) 1ms maximum (voltage 10.2 to 20.4V DC)
	Inrush Current	40A maximum
Environmental Specifications	Dielectric Strength	1,000V AC, 10 mA, 1 minute between power and FG terminals
	Operating Temperature	-20 to +55°C (no freezing)
	Operating Humidity	10 to 90% RH (no condensation)
	Storage Temperature	-20 to +70°C (no freezing)
	Storage Humidity	10 to 90% RH (no condensation)
	Pollution Degree	2
	Vibration Resistance	5 to 8.4 Hz amplitude 3.5 mm, 8.4 to 150 Hz, acceleration 9.8 m/s ² 10 cycles (100 minutes) on each of three mutually perpendicular axes
	Shock Resistance	147 m/s ² , 11 ms 5 shocks on each of three mutually perpendicular axes
	Noise Immunity	Fast transient/burst test, Power terminals: ±2 kV, Communication line: ±1 kV (IEC/EN 61131-2, IEC/EN 61000-4-4)
	Electrostatic Discharge	Contact ±6 kV, air ±8 kV (IEC/EN 61131-2, IEC/EN 61000-4-2)
Structure	Corrosion Immunity	Free from corrosive gases
	Mounting	Panel mounting (panel thickness: 1.0 to 5.0 mm)
	Degree of Protection	IP66F/IP67F (IEC 60529, JIS C0920) (see JIS C 0920 Annex 1 for "F") (front part when mounted) *1 IP65F/IP67F when panel thickness is below 1.5mm TYPE 4X TYPE 13 *2
	Dimensions	128 W × 102 H × 31.8 D mm
	Weight (approx.)	300g

• Do not use the HG1G in an environment subject to strong ultraviolet rays, otherwise the LCD quality will deteriorate.

*1: Protection degree of the front surface after mounting. Operation not guaranteed.

*2: Operation not guaranteed under environments using certain types of oils.

Display Specifications

Display	TFT color LCD	
Color/Shade	65,536	
Effective Display Area	95.04 W × 53.836 H mm	
Display Resolution	480 W × 272 H pixels	
View Angle	Right and left 70°, up 60°, down 65°	
Backlight	White LED	
Backlight Life	70,000 hours *1	
Brightness	800 cd/m ² *2	
Brightness Adjustment	32 levels	
Backlight Replacement	N/A	
Display Character Size	1/4 size	8 × 8 pixels (Western European language: ISO 8859-1, Central European language: ANSI 1250, Baltic: ANSI 1257, Cyrillic: ANSI1251, Japanese katakana and symbols: JIS 8-bit code)
	1/2 size	8 × 16 pixels (Western European language: ISO 8859-1, Central European language: ANSI 1250, Baltic: ANSI 1257, Cyrillic: ANSI1251, Japanese katakana and symbols: JIS 8-bit code)
		16 × 32 pixels, 24 × 48 pixels, 32 × 64 pixels (Western European language: ISO 8859-1)
	Full size	16 × 16 pixels (Japanese JIS first and second level characters, simplified Chinese, traditional Chinese, Korean)
Double size	32 × 32 pixels (Japanese JIS first level characters, Mincho font)	
	1/4 size	60 characters × 34 lines
Quantity of Characters	1/2 size	60 characters × 17 lines
	Full size	60 characters × 17 lines
	Double size	15 characters × 8 lines (Mincho font)
Character Magnification	0.5, 1 to 8 vertically and horizontally (except for scalable fonts)	
Character Attribute	Blink (1 or 0.5 sec period), reverse, bold, shadowed	
Graphics	Straight line, polyline, rectangle, circle, ellipse, arc, pie, equilateral polygons (3, 4, 5, 6, 8), paint, bitmap image	
Window Display	3 popup screens + 1 system screen	

*1 The backlight life refers to the time until the brightness reduces by half. It is an expected value after use at 25°C and not guaranteed. Actual backlight life depends on the operating environment and conditions.

*2 Brightness of LCD when operating condition is 25°C.

Operation Specifications

Switching Element	Analog resistive membrane
Operating Force	3N maximum
Mechanical Life	1,000,000 operations
Acknowledgement Sound	Electronic buzzer

Function Specifications

Screen Types	Base screen, popup screen, system screen
No. of Screens	Base screen: 3,000 max. Popup screen: 3,015 max.
User Memory	12 MB (including expansion fonts)
Parts	Bit Button, Word Button, Goto Screen, Print Button Key Button, Multi Button, Keypad, Selector Switch, Potentiometer, Numerical Input, Character Input, Pilot Lamp, Multi-State Lamp, Picture Display, Message Display, Message Switching Display, Alarm List Display, Alarm Log Display, Numerical Display, Bar Graph, Trend Chart, Pie Chart, Meter, Calendar, Bit Write Command, Word Write Command, Goto Screen Command, Print Command Screen Script Command, Multi Command, Timer
Calendar	Year, Month, Day, Hour, Min., Sec., Day of Week ±90 sec per month (at +25°C)
Power Failure Backup Data	Calendar, log data, keep internal relay, keep internal register
Battery	Recommended replacement span: every 5 years (at +25°C)

Interface Specifications

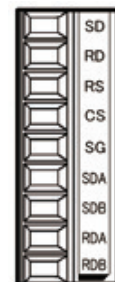
Serial Interface 1 (COM1) *1	RS232C	Electrical Characteristics	EIA RS232C compliant
		Transmission Speed	1200, 2400, 4800, 9600, 19200, 38400, 57600, 115200, 187500 bps
		Synchronization	Asynchronous
		Communication Method	Half or full duplex
		Control System	Hardware control or none
	RS422/485	Electrical Characteristics	EIA RS422/485 compliant
		Transmission Speed	1200, 2400, 4800, 9600, 19200, 38400, 57600, 115200, 187500 bps *2
		Synchronization	Asynchronous
		Communication Method	Half or full duplex
		Control System	None
Connector		Detachable 9-pin terminal block	
Ethernet Interface (LAN)	Interface	IEEE802.3u (10BASE-T/100BASE-TX) compliant	
	Connector	Modular connector (RJ45)	
USB Interface (USB1)	Interface	USB 2.0 high speed (480 Mbps)	
	Connector	USB Type Mini-B connector	
USB Interface (USB2)	Interface	USB 2.0 Full speed (12 Mbps)	
	Connector	USB Type Mini-A connector	

*1: RS232C and RS 422/485 can be used simultaneously.


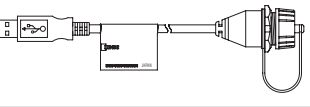
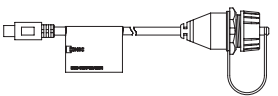
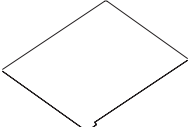
*2: 187,500 bps is available only with SIEMENS SIMATIC S7-300/400 series (MPI port direct connection).

Serial Interface Terminal Arrangement

Name	I/O	Function	Communication Type
SD	OUT	Send Data	RS232C
RD	IN	Receive Data	
RS	OUT	Request to Send	
CS	IN	Clear to Send	
SG	—	Signal Ground	RS232C, RS422/485
SDA	OUT	Send Data (+)	RS422/485
SDB	OUT	Send Data (-)	
RDA	IN	Receive Data (+)	
RDB	IN	Receive Data (-)	



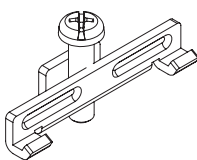
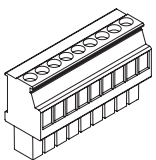
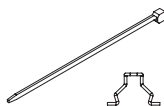
Options

Name	Part No. (Ordering No.)	Package Quantity	Description
Application Software	SW1A-W1C	1	Automation Organizer (includes WindO/I-NV4)
USB Maintenance Cable	HG9Z-XCM42	1	2m USB Cable USB-miniB
PLC Connection Cable *1	 HG9Z-KC1C	1	5m For IDEC MicroSmart (FC6A) RJ45 connector (loose wire)
	HG9Z-XC275	1	5m For IDEC MicroSmart (FC5A, FC4A) For SmartAXIS (Pro/Lite)
	FC2A-KP1C	1	2.4m Mini DIN 8-pin (loose wire)
USB Panel-mount Extension Cable	For USB-A port  HG9Z-XCE11	1	1m For USB-A port
	For USB-mini B port  HG9Z-XCE21	1	1m For USB-mini B port
Protective Sheet *2 (Size: 121.6 × 95.6mm, thickness: 0.188mm)	 HG9Z-1D4PN05	5	For 4.3 inch (5 pcs/pack) (used to protect the LCD)
User's Manual	HG9Y-B1701	1	English

*1: For the applicable connection cable to connect with the PLC of other than IDEC, refer to WindO/I -NV4 External Device Setup Manual included in the system configuration software Automation Organizer. The manual is also available on IDEC's website.

*2: The protective sheet is UV resistant, however, resistance against direct sunlight in outdoor usage is not guaranteed.
Used to protect the display screen.

Maintenance Parts

Name	Part No. (Ordering No.)	Package Quantity	Description
Mounting Clip 	HG9Z-4K2PN04	4	Two clips are supplied with HG1G.
Serial Interface Connector (detachable 9-pin terminal block) 	HG9Z-XT09V	1	One plug (terminal block type) is supplied.
Replacement Battery	HG9Z-XR1	1	Lithium battery CR2032 (one battery is supplied)
USB Cable Lock Pin 	HG9Z-XU1PN05	5	Used to lock USB cable (for USB1, USB2). Two pins are supplied with HG1G.

HG1G Operator Interface

Compatible PLCs

Manufacturer	Series	
IDEC	MICROSmart	
	SmartAXIS Pro/Lite	
	MICROSmart (Ethernet)	
	SmartAXIS Pro/Lite (Ethernet)	
Mitsubishi	MELSEC-A (link unit)	
	MELSEC-QnA (link unit)	
	MELSEC-Q (link unit)	
	MELSEC-Q (Ethernet)	
	MELSEC-FX	
	MELSEC-FX (Ethernet)	
OMRON	SYSMAC-C	
	SYSMAC-CS	
	SYSMAC-CJ1	
	SYSMAC-CJ2	
	SYSMAC-CP1	
	SYSMAC (Ethernet)	
	PLC-5 (Half Duplex)	
Allen-Bradley	SLC-500 (Half Duplex)	
	MicroLogix (Full Duplex)	
	ControlLogix (Full Duplex)	
	CompactLogix (Full Duplex)	
	FlexLogix (Full Duplex)	
	ControlLogix (Ethernet/IP, Ethernet/IP [Logix Native Tag])	
	CompactLogix (Ethernet/IP, Ethernet/IP [Logix Native Tag])	
	PLC-5 (Ethernet/IP)	
	SLC 500 (Ethernet/IP)	
	MicroLogix (Ethernet/IP)	
	SIEMENS	S7-200
		S7-300 (connects to CPU)
		S7-300 (link unit)
		S7-400
S7-1200 (Ethernet)		
Keyence	KV-700/1000/3000/5000	
	KV Nano	
	KZ	
	KV	
	KV (Ethernet)	
Hitachi	S10mini	
	S10V	
JTEKT	TOYOPUC-PC2J	
	TOYOPUC-PC3J	
Toshiba Machine Works	TC200	
	Tcmini	
GE Fanuc Automation	Series90-30	
	VersaMax	

Manufacturer	Series
Schneider Electric	Twido
	Modbus RTU Master *1
Modicon	Modbus RTU Slave *2
	Modbus ASCII Master *1
	Modbus TCP Client *1
	Modbus TCP Server *2
Panasonic	FP Series
Yaskawa Electric	MP
	MP (Ethernet)
Koyo	DirectLOGIC 05
	DirectLOGIC 06
	DirectLOGIC 205
	KOSTAC SZ
	KOSTAC SU
	KOSTAC SU (Ethernet)
Fanuc	Power Mate
	Series
Yokogawa Electric	FA-M3
	FA-M3 (Ethernet)
Fuji Electric	FREX-PC
	MICREX-F
	MICREX-SX
Toshiba	PROSEC T Series
	V Series
LS Industrial Systems	MASTER-K
VIGOR	VB
	VH
Emerson	FloBoss
Equipment Systems	EH (Ethernet)

• The compatible PLC information is for reference only (except for IDEC PLCs), and IDEC does not guarantee the operation of any other manufacturers' PLC. When using other manufacturers' PLCs, read their specifications and instruction manual carefully. The PLC must be operated correctly under the user's responsibility.

• The company names and product names are registered trademarks or brand names.

*1: Can be connected to slave devices from HG1G.

*2: Can connect to HG1G from a master device.

An updated listing of compatible PLCs can be found at the following website.
<http://www.idec.com/oi/drivers>

All trademarks and registered trademarks described in this brochure are the property of their respective owners.

Specifications and other descriptions in this brochure are subject to change without notice.



IDEC CORPORATION

6-64, Nishi-Miyahara 2-Chome, Yodogawa-ku, Osaka 532-0004, Japan
 Tel: +81-6-6398-2527, Fax: +81-6-6398-2547
 E-mail: marketing@idec.co.jp

IDEC CORPORATION (USA)
 1175 Elko Drive, Sunnyvale, CA 94089-2209, USA
 Tel: +1-408-747-0550 / (800) 262-IDEC (4332)
 Fax: +1-408-744-9055 / (800) 635-6246
 E-mail: opencontact@idec.com

IDEC CANADA LIMITED
 3155 Pepper Mill Court, Unit 4
 Mississauga, Ontario, L5L 4X7, Canada
 Tel: +1-905-890-8561, Toll Free: (888) 317-IDEC (4332)
 Fax: +1-905-890-8562
 E-mail: sales@ca.idec.com

IDEC AUSTRALIA PTY. LTD.
 Unit 17, 104 Ferntree Gully Road,
 Oakleigh, Victoria 3166, Australia
 Tel: +61-3-8523-5900, Toll Free: 1800-68-4332
 Fax: +61-3-8523-5999
 E-mail: sales@au.idec.com

IDEC ELEKTROTECHNIK GmbH
 Heselstruecken 8, 22453 Hamburg, Germany
 Tel: +49-40-25 30 54 - 0, Fax: +49-40-25 30 54 - 24
 E-mail: service@eu.idec.com

IDEC (SHANGHAI) CORPORATION
 Room 701-702 Chong Hing Finance Center,
 No. 288 Nanjing Road West, Shanghai 200003, PRC
 Tel: +86-21-6135-1515
 Fax: +86-21-6135-6225 / +86-21-6135-6226
 E-mail: idecs@cn.idec.com

IDEC (BEIJING) CORPORATION
 Room 211B, Tower B, The Grand Pacific Building,
 8A Guanghua Road, Chaoyang District,
 Beijing 100026, PRC
 Tel: +86-10-6581-6131, Fax: +86-10-6581-5119

IDEC (SHENZHEN) CORPORATION
 Unit AB-3B2, Tian Xiang Building, Tian'an Cyber Park,
 Fu Tian District, Shenzhen, Guang Dong 518040, PRC
 Tel: +86-755-8356-2977, Fax: +86-755-8356-2944

IDEC IZUMI (H.K.) CO., LTD.
 Unit G & H, 26/F, MG Tower, No. 133 Hoi Bun Road,
 Kwun Tong, Kowloon, Hong Kong
 Tel: +852-2803-8989, Fax: +852-2565-0171
 E-mail: info@hk.idec.com

IDEC TAIWAN CORPORATION
 8F-1, No. 79, Hsin Tai Wu Road, Sec. 1,
 Hsi-Chih District, 22101 New Taipei City, Taiwan
 Tel: +886-2-2698-3929, Fax: +886-2-2698-3931
 E-mail: service@tw.idec.com

IDEC IZUMI ASIA PTE. LTD.
 No. 31, Tannery Lane #05-01,
 HB Centre 2, Singapore 347788
 Tel: +65-6746-1155, Fax: +65-6844-5995
 E-mail: info@sg.idec.com

IDEC ASIA (THAILAND) CO., LTD.
 20th Fl., Sorachai Bldg., No.23/78,
 Soi Sukhumvit 63, Sukhumvit Rd.,
 Klongton-nua, Wattana, Bangkok 10110
 Tel: +662-392-9765, Fax: +662-392-9768
 E-mail: sales@th.idec.com

www.idec.com