

Level Sensors Electromechanical Float Switches Types FS, Horizontal and Vertical Mount



- Float switches for liquid level sensing
- Horizontal or vertical mount
- Polypropylene, nylon, or polysulfone housings
- Maximum switching voltage: 200 VDC or 240 VAC
- Maximum switching current: 0.5 A (SPST)
- Suitable for specific gravities > 0.75

Product Description

The FS series of sensors are economical electromechanical float switches for liquid level sensing. Selectable normally open or normally closed outputs, along with various mounting configurations and housing materials, allow the FS sensors to fit a wide variety of level applications.

Ordering Key

FS H -2 4

Type _____
 Mounting attitude _____
 Mounting type _____
 Housing material _____

Type Selection

| Housing Material | Horizontal mount, Ø16 mm compression | Horizontal mount, 1/2" NPT thread | Vertical mount, 1/8" PF thread |
|------------------|--------------------------------------|-----------------------------------|--------------------------------|
| Polypropylene | FSH-21 | FSH-31 | FSV-31 |
| Nylon* | FSH-24 | FSH-34 | FSV-34 |
| Polysulfone | FSH-25 | FSH-35 | FSV-35 |

Specifications

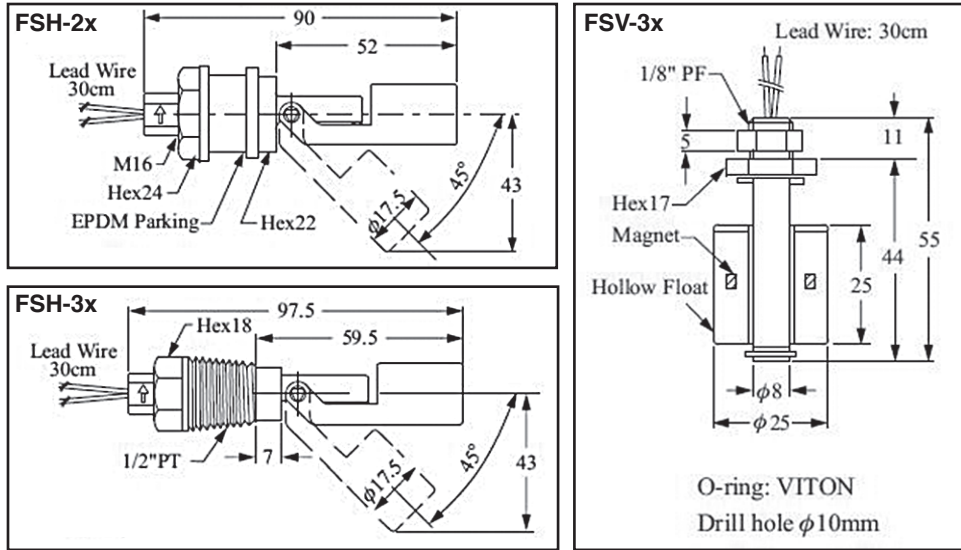
| | | | |
|---|------------------|----------------------------------|-------------------------------|
| Rated maximum switching voltage | 200 VDC, 240 VAC | Connection | 2 wires, XLPE 22 AWG x 12 in. |
| Rated maximum current | | Suitable specific gravity | |
| Switching | 0.5 A | FS... 1 types | >0.75 |
| Carrying | 1.0 A | FS... 4 types | >0.80 |
| | | FS... 5 types | >0.85 |
| Rated maximum switching capacity | 50W (VA) | Housing material color | |
| Switch type, function | Reed, SPST | FS... 1 Types | Polypropylene, black |
| Rated operating temperature | | FS... 4 types | *Nylon, white |
| FS... 1 types | -4 to +176°F | FS... 5 types | Polysulfone, blue |
| FS... 4 types | -4 to +250°F | MTBF | 1,000,000 Cycles |
| FS... 5 types | -4 to +250°F | Approvals | UL, CE, ABS |
| Rated operating pressure | | Weight | |
| FS... 1 types | 57 psi | FSH... 1 types | 35 g |
| FS... 4/5 types | 28 psi | FSH... 4 types | 38 g |
| | | FSH... 5 types | 40 g |
| | | FSV... types | 18 g |

* Nylon floats may absorb water if submerged for extended periods of time, therefore they are not recommended for low-level applications in water-based media.

FH, Horizontal and Vertical Mount



Dimensions



Installation Guide

FSH...types Normally open or normally closed operation is selectable by orientation of the sensor in the tank. Normally open switching is obtained when the arrow on the mounting is pointed up, and vice versa, normally closed when the arrow is downward.

FSV...types Normally open or normally closed operation is selectable by inversion of the float on the shaft. The switches are shipped normally open otherwise indicated.

