



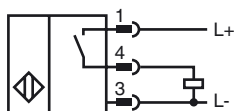
Model Number

40FY26-33

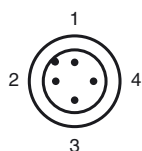
Features

- Hall Effect Sensor
- Door Interrupt Sensor
- Tamper resistant magnetic actuator

Connection



Pinout



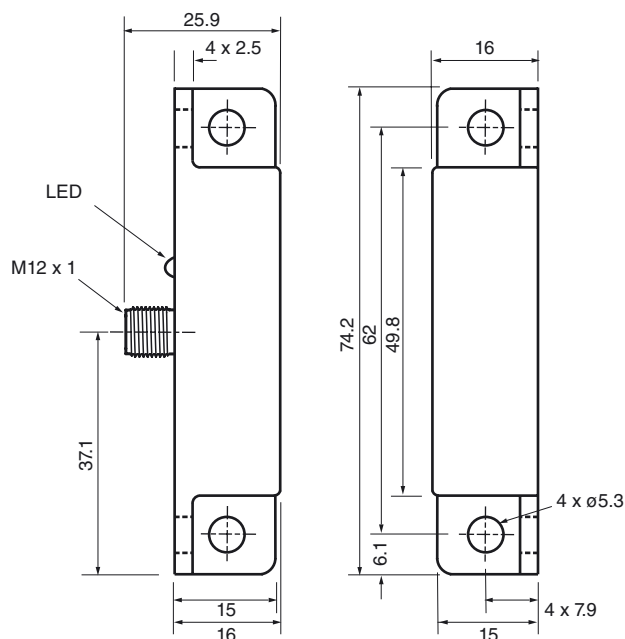
Wire colors in accordance with EN 60947-5-2

1	BN
2	WH
3	BU
4	BK

Accessories

- 41FY1**
Magnetic Actuation
- 41FY2**
Magnetic Actuation
- V1-G-2M-PVC**
Cable connector

Dimensions



Technical Data

General specifications

Switching element function	PNP, NO
Rated operating distance	s_n Use either 41FY1 - 6.4 - 15.2 mm or 41FY2 - 7.6 - 19 mm
Installation	not embeddable
Output polarity	DC

Nominal ratings

Operating voltage	U_B	10 ... 30 V DC
Hysteresis	H	5 ... 25 %
Short-circuit protection		yes
Voltage drop	U_d	≤ 2.5 V DC
Repeat accuracy		± 3 %
Operating current	I_L	≤ 200 mA
Off-state current	I_r	≤ 30 mA
No-load supply current	I_0	≤ 40 mA

Indicators/operating means

LED indicator	switching state
---------------	-----------------

Electrical specifications

Electrical rating	10 - 30 V DC
-------------------	--------------

Ambient conditions

Ambient temperature	-30 ... 85 °C (-22 ... 185 °F)
---------------------	--------------------------------

Mechanical specifications

Connection type	Device connector M12 x 1, 4-pin
Housing material	Polycarbonate
Sensing face	Polycarbonate
Protection degree	IP67

Approvals and certificates

UL approval	cULus Listed, General Purpose
CSA approval	cCSAus Listed, General Purpose