

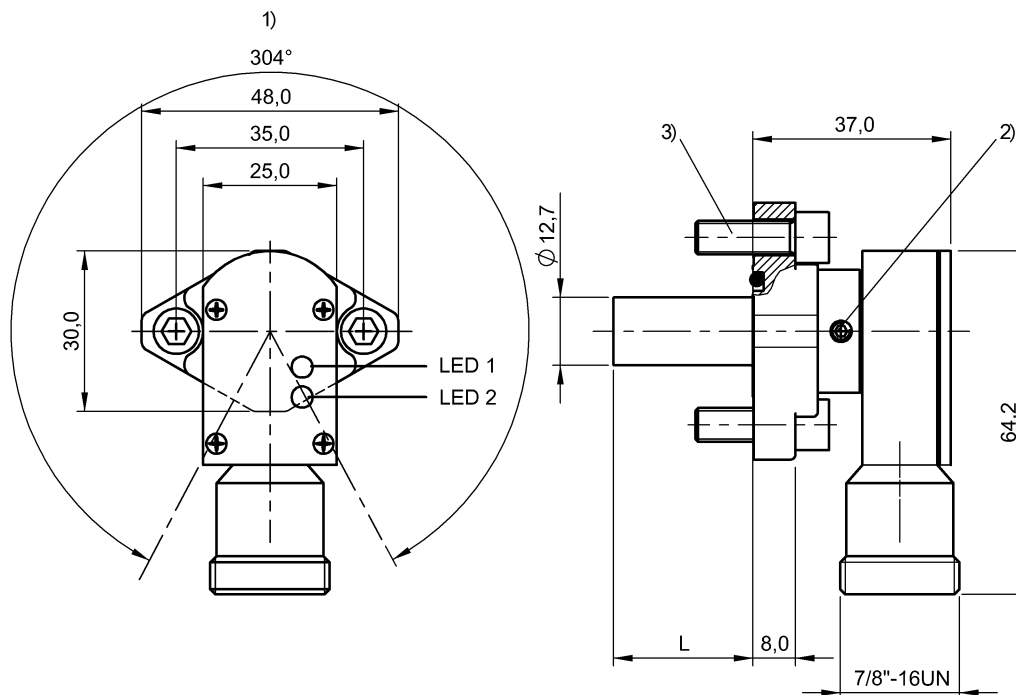
BES 516-200-S2/2.062"-S5
Ordering code: BHS000U

Inductive sensor
D12.7 mm
Strokemaster
High-pressure-rated

UC (AC/DC)
Normally open (NO)
Sn = 2 mm
Flush (shielded)

BALLUFF

sensors worldwide



Characteristic data

Eff. switching distance Sr	2,00 mm
Tolerance Sr	±10 %
Assured operating distance Sa	1,60 mm
Hysteresis H max. (in % of Sr)	15 %
Repeat accur. R max. (% of Sr)	5 %
Ambient temperature	-25...70 °C
Temp. drift max. (% of Sr)	10%
Switching freq. f max.	50 Hz
Ready delay tv max.	150 ms
Utilisation category	AC 140 / DC 13
Function indicator	Yes
Power-on indicator	Yes
Short-circuit protected	Yes
Magnetic field immune	immune to magnetic DC and AC fields
Degree of protection as per IEC 60529	IP67
Protection class	I
Protected against polarity reversal	Yes
Part number sealing ring	116143

Electrical data

Operating voltage	
Effective operating voltage Ue AC	
Voltage drop static max.	6 V
Rated insulation voltage Ui	250 AC V
Effective operating current Ie	500 mA
Off-state current Ir max.	1700 µA
Minimum operating current Im	5 mA

Short-time load cap./duration Ik/T	3.0 A/20 ms
Short-time cur. load cap. Freq	1 Hz
Rated frequency, AC	50/60 Hz
Rated short circuit current	100 A
Magnetic field strength	100 kA/m

Mechanical data

Housing material	1.4104 / GD-ZnAl
Surface protection	Nickel-plated
Sensing surface material	Ceramic
Sealing ring material	FPM 90
Connection type	Connector
Connector type	7/8"-16UN-S05
Pressure resistance	oilpressure-rated to 3000 psi
Shock rating	Shock, half-sinus, 30 gn, 11ms
Vibration rating	55 Hz, 1 mm ampl., 3x30 min
Degree of contamination	3
Size sealing ring	17.13 x 2.62

Basic data

Basic standard	IEC 60947-5-2
Scope of delivery	2 x hexagon socket screw UNC 1/4"-20x 3/4" - 12.9 1 x O-ring Ø17.13 x 2.62

BES 516-200-S2/2.062"-S5
Ordering code: BHS000U

Inductive sensor
D12.7 mm
Strokemaster
High-pressure-rated

UC (AC/DC)
Normally open (NO)
Sn = 2 mm
Flush (shielded)

BALLUFF
sensors worldwide

Remarks

Flashing LED indicates overload. When the overload is removed, interrupt the supply voltage U_b for approx. 2 sec.

Leakage current I_r max. at rated operating voltage U_e AC 110 V

LED 1: Operating voltage; LED 2: Function



Definitions see main catalog

subject to change

