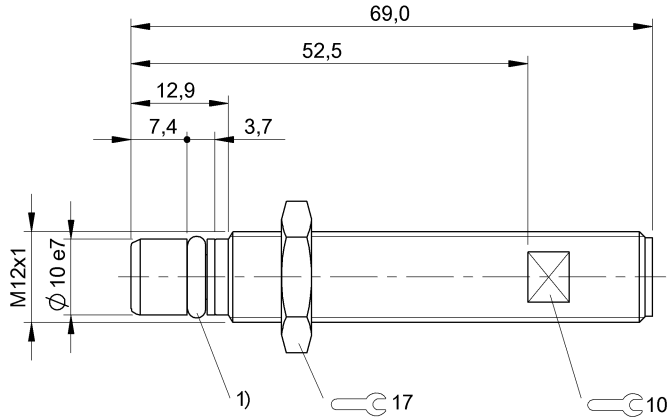


BES 516-300-S162-S4-D
Ordering code: BHS0021

M12x69 mm

DC, direct current
PNP/Normally open (NO)
1,5 mm
Flush (shielded)

BALLUFF
sensors worldwide



1) O-ring with support ring

Kenndaten

Assured operating distance Sa	1,2 mm
Eff. switching distance Sr	1,5 mm
Tolerance Sr	±10 %
Hysteresis H max. (in % of Sr)	15 %
Repeat accur. R max. (% of Sr)	5 %
Ambient temperature	-25...80 °C
Temp. drift max. (% of Sr)	10%
Switching freq. f max.	2000 Hz
Ready delay tv max.	50 ms
Utilization category	DC 13
Function indicator	No
Power-on indicator	No
Short-circuit protected	Yes
Protected against polarity reversal	Yes
Protected against reverse connection	Yes
Enclosure type per IEC 60529	IP68 according to BWN PR 20
Principle of operation	Inductive

Elektrische Daten

Operating voltage	10...30 V DC
Ripple max. (% of Ue)	15 %
Rated operating voltage Ue DC	24 V
Voltage drop static max.	2 V
Rated insulation voltage Ui	75 DC V
Effective operating current Ie	200 mA
No-load current Io damped	8 mA
No-load current Io undamped	3 mA
Off-state current Ir max.	10 µA
Minimum operating current Im	0 mA

Rated short circuit current	100 A
Output resistance Ra	150.0k
Load capacitance max. (at Ue)	1 µF

Mechanische Daten

Connection type	Connector
Connector type	M12x1-S04
Housing material	1.4104
Sensing surface material	EP
Sealing ring material	N70B200V
Thrust ring material	PTFE
Mounting length	39,6 mm
Mounting hi-pressure switches	M12x1
Pressure resistance	oilpressure-rated to 500 bar
Size of sealing ring	5.3 x 2.4
Shock rating	Shock, half-sinus, 30 gn, 11ms
Vibration rating	55 Hz, 1 mm ampl., 3x30 min
Degree of contamination	3
Tightening torque	15 Nm ±10%

Grunddaten

Basic standard	IEC 60947-5-2
Part number sealing ring	631753
Part number thrust ring	705918

Bemerkungen

The sensor is functional again after the overload has been eliminated.
 With connector, e.g. BKS-S 20-... total length = switch length +19 mm.
 Installation instructions 614804.



Definitions see main catalog

BES 516-300-S162-S4-D
Ordering code: BHS0021

M12x69 mm

DC, direct current
PNP/Normally open (NO)
1,5 mm
Flush (shielded)

BALLUFF
sensors worldwide

subject to change

