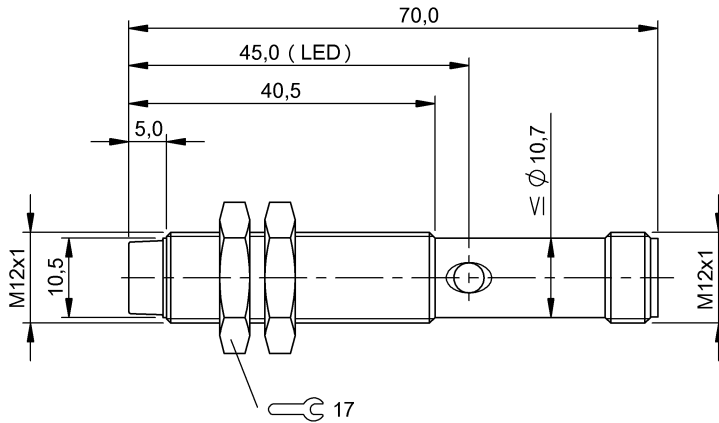


**BES 515-356-S4-C**  
**Ordering code: BES02FC**

**Inductive sensor**  
**Proxinox®**  
**M12x70 mm**

**DC, direct current**  
**PNP/Normally open (NO)**  
**4 mm**  
**Non embeddable**

**BALLUFF**  
*sensors worldwide*



**Characteristic data**

Assured operating distance Sa	3,2 mm
Eff. switching distance Sr	4 mm
Tolerance Sr	±10 %
Hysteresis H max. (in % of Sr)	15 %
Repeat accur. R max. (% of Sr)	5 %
Ambient temperature	-25...70 °C
Temp. drift max. (% of Sr)	10%
Switching freq. f max.	1200 Hz
Ready delay tv max.	30 ms
Utilization category	DC 13
Function indicator	Yes
Power-on indicator	No
Short-circuit protected	Yes
Protected against polarity reversal	Yes
Protected against reverse connection	Yes
Enclosure type per IEC 60529	IP68 according to BWN PR 20
Protection class	II
Principle of operation	Inductive

**Electrical data**

Operating voltage	10...30 V DC
Ripple max. (% of Ue)	15 %
Rated operating voltage Ue DC	24 V
Voltage drop static max.	1,5 V
Rated insulation voltage Ui	250 AC V

Effective operating current Ie	200 mA
No-load current Io damped	8 mA
No-load current Io undamped	1 mA
Off-state current Ir max.	10 µA
Minimum operating current Im	0 mA
Rated short circuit current	100 A
Output resistance Ra	33.0k + D
Load capacitance max. (at Ue)	0,5 µF

**Mechanical data**

Connection type	Connector
Connector type	M12x1-S04
Housing material	Stainless steel
Sensing surface material	PA 12
Mounting length	35,5 mm
Shock rating	Shock, half-sinus, 30 gn, 11ms
Vibration rating	55 Hz, 1 mm ampl., 3x30 min
Degree of contamination	3
Tightening torque	20 Nm

**Basic data**

Basic standard	IEC 60947-5-2
----------------	---------------

**Remarks**

The sensor is functional again after the overload has been eliminated.  
 With connector, e.g. BKS-S 20E-... total length = switch length +18 mm.



Definitions see main catalog

subject to change

**BES 515-356-S4-C**  
**Ordering code: BES02FC**

**Inductive sensor**  
**Proxinox®**  
**M12x70 mm**

**DC, direct current**  
**PNP/Normally open (NO)**  
**4 mm**  
**Non embeddable**

**BALLUFF**  
*sensors worldwide*

