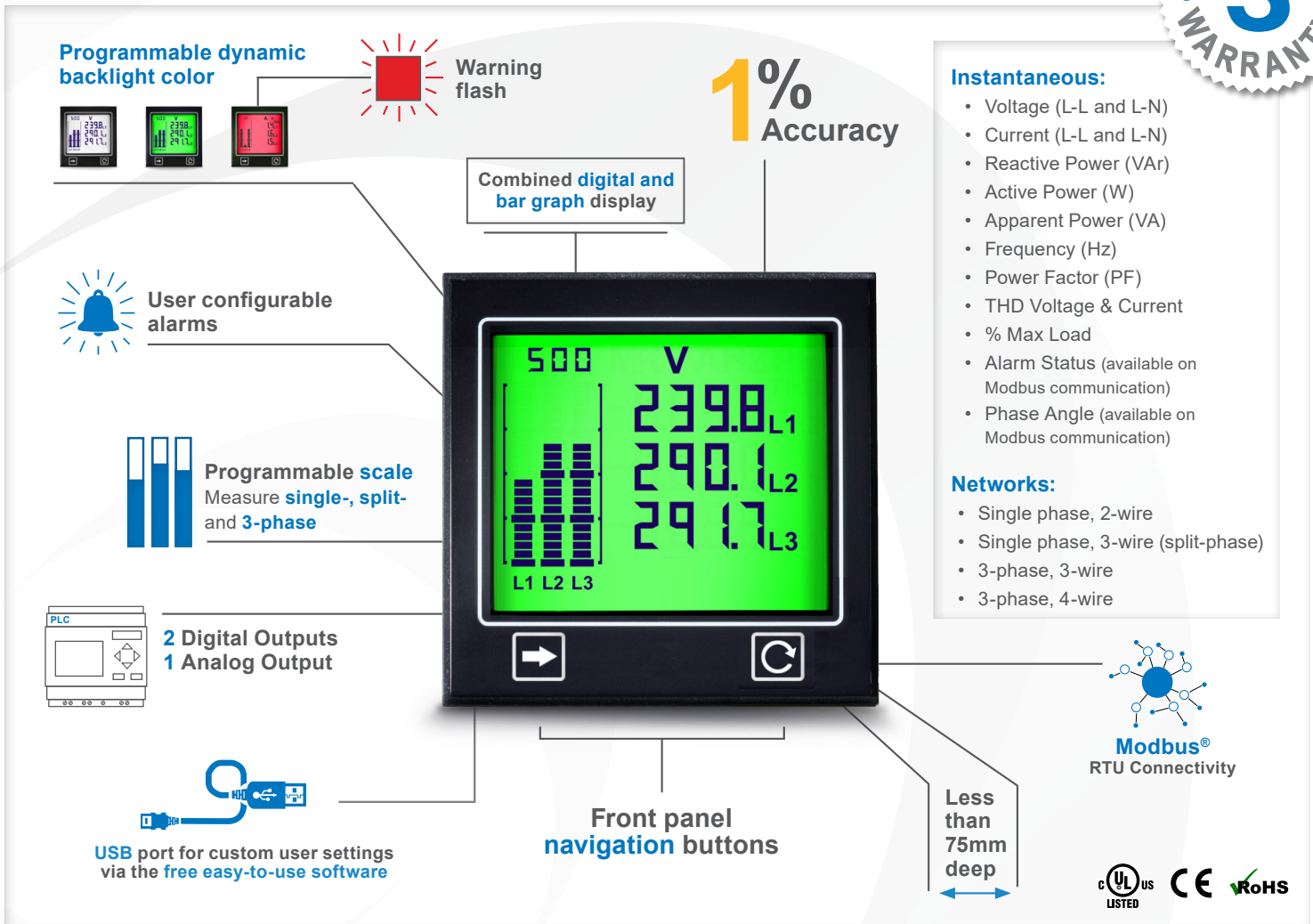




APM Power Meter

For single-phase, split-phase & 3-phase mains networks

Advanced Panel Meter (APM)



Key Features

- For single-, split- and 3-phase applications.
- Measures Active (W), Reactive (VAR) and Apparent (VA) power.
- Displays electrical parameters on large, backlit LCD display.
- Features two independent opto-isolated digital outputs plus one analog 4-20mA output.
- Includes MODBUS® RTU communication as standard.
- Provides clear indication of electrical circuit performance.
- User-programmable scale and custom alarm messages display critical parameters and immediately alerts operators when a parameter is out of range.
- Programmable Current Transformer (CT) and Potential Transformer (PT) ratios.

Specifications

NETWORKS MEASUREMENT

Frequency	45 - 65 Hz
Voltage measurement range	L-L 0 - 600VAC L-N 10 - 300VAC
Programmable PT range	1:1 to 1000:1
Current measurement range	0 - 5A
Programmable CT range	1:1 to 1000:1
Accuracy	1% (THD 5%) of full scale

ENVIRONMENTAL

Temperature - operating	-10 to +50°C
Temperature - storage	-40 to +70°C
IP rating (from the front)	IP65, NEMA type 4 and NEMA type 12

POWER SUPPLY

Input	100 - 277 VAC
Supply frequency	50-60Hz
Max power	2W

DISPLAY

Backlight colors	Red, Green, White
------------------	-------------------

DIGITAL OUTPUTS

Number	2
Type	Opto-Isolated
Operating modes	Momentary
Max voltage	24VDC
Max sink current	15mA

ANALOG OUTPUTS

Number	1
Analog output	4-20mA

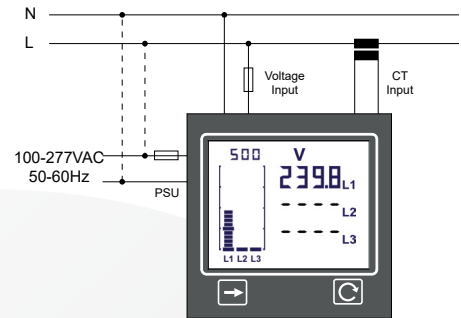
COMMUNICATION

CERTIFICATION	Modbus® RTU CE, RoHS, UL (pending)
---------------	---------------------------------------

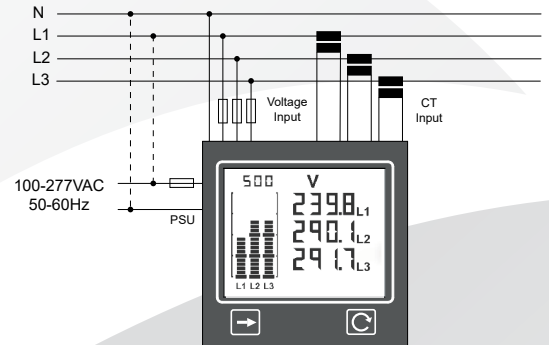
1P2W, 1P3W, 3P3W, 3P4W,

Wiring Diagrams and Isolation

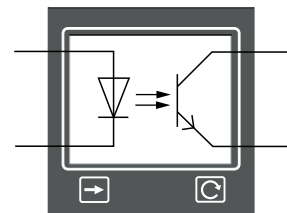
Single phase 2-wire (1P2W)



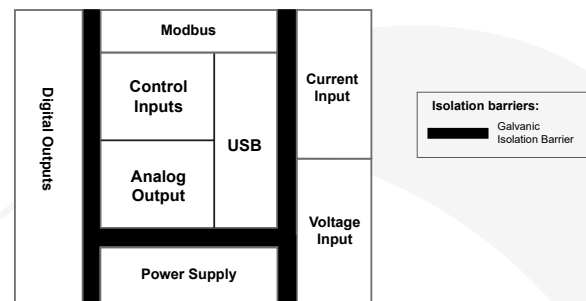
3 phase 3-wire (3P3W)



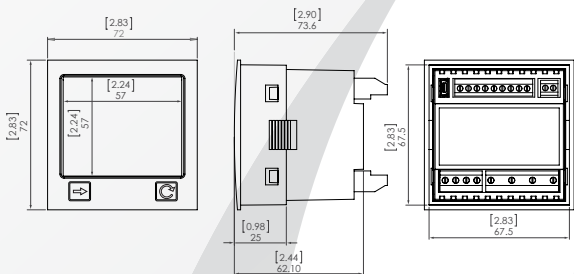
Control Outputs



Isolation



Dimensions:



Panel Cutout:
68mm x 68mm
[2.68" x 2.68"] as per
DIN43700/IEC61554

Part Numbers

APM-PWR-APO	APM Power Meter, Positive LCD
APM-PWR-ANO	APM Power Meter, Negative LCD (available with an extended lead time)
APM-PWR-XXX	Custom Option

