



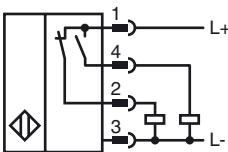
**Model Number**

NCN25-F35-A2-250-V1

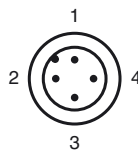
**Features**

- Comfort series
- 25 mm flush mountable
- Extended temperature range of sensor component 0 ... 250 °C (0 ... 482 °F)
- 10 m cable between sensor and amplifier with metal case
- Appropriate for conveyor chains
- Minimum bending radius of 30 cm for movable laying

**Connection**



**Pinout**



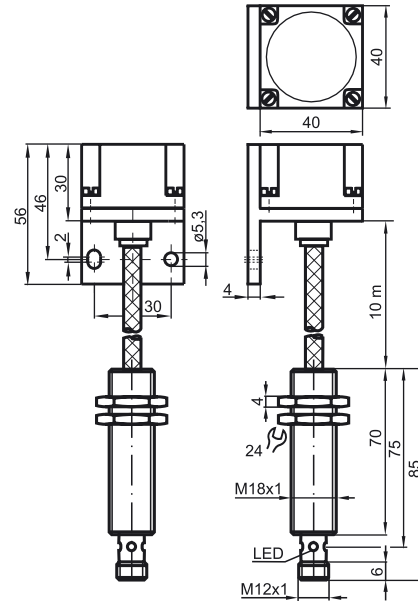
Wire colors in accordance with EN 60947-5-2

1	BN	(brown)
2	WH	(white)
3	BU	(blue)
4	BK	(black)

**Accessories**

- V1-G**  
4-pin, M12 female field-attachable connector
- V1-W-2M-PUR**  
Cable socket, M12, 4-pin, PUR cable
- V1-W**

**Dimensions**



**Technical Data**

**General specifications**

Switching element function	PNP	NO/NC
Rated operating distance	$s_n$	25 mm
Installation		flush mountable
Output polarity		DC
Assured operating distance	$s_a$	0 ... 20 mm
Reduction factor $r_{Al}$		0.5
Reduction factor $r_{Cu}$		0.5
Reduction factor $r_{304}$		0.6 ... 1
Mounting angle		Al
Amplifier housing		Stainless steel

**Nominal ratings**

Operating voltage	$U_B$	10 ... 30 V
Switching frequency	$f$	0 ... 20 Hz
Hysteresis	$H$	0.3 ... 5 typ. 2 %
Reverse polarity protection		reverse polarity protected
Short-circuit protection		pulsing
Voltage drop	$U_d$	$\leq 3$ V
Operating current	$I_L$	0 ... 200 mA
No-load supply current	$I_0$	$\leq 25$ mA
Time delay before availability	$t_v$	$\leq 20$ ms
Switching state indication		Multihole-LED, yellow

**Functional safety related parameters**

MTTF <sub>d</sub>	7515 a
Mission Time (T <sub>M</sub> )	20 a
Diagnostic Coverage (DC)	0 %

**Ambient conditions**

Ambient temperature	0 ... 250 °C (32 ... 482 °F)
---------------------	------------------------------

**Mechanical specifications**

Connection type	Device connector M12 x 1 , 4-pin
Cable version	PFA cable, with armour of stainless steel
Core cross-section	3 x 0.34 , screened
Housing material	PTFE / Al / 1.4305 / AISI 303
Sensing face	PTFE
Protection degree	amplifier IP67 sensor IP40

**Note**

- amplifier 0 °C ... 70 °C  
 -  $r_{1,4305}$  dep. on thickness of measurement plate d:  
 $r_{1,4305} = 1$  for  $d < 1$  mm  
 Additional accessory: Protective cover SH-F35 is available for use in areas where there is moisture and as a means of mechanical protection.

**Compliance with standards and directives**

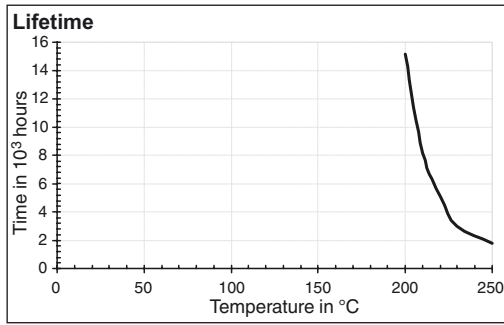
Standard conformity	
Standards	EN 60947-5-2:2007 IEC 60947-5-2:2007

**Approvals and certificates**

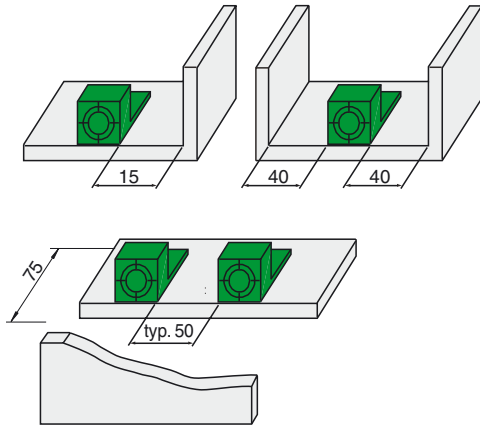
UL approval	cULus Listed, General Purpose, Class 2 Power Source
CCC approval	Products with a maximum operating voltage of $\leq 36$ V do not bear a CCC marking because they do not require approval.

Release date: 2013-01-29 08:02 Date of issue: 2013-01-29 187479\_eng.xml

Supplementary information



Installation:



Accessories:

Protective Cover SH-F35

